



Affordable, quality drop-bolt with padlock security



LIFETIME WARRANTY

facility to store your padlock when not in use



Bolt retention feature prevents rod from dragging

High wear and corrosion resistant drop-rod

- Electro-polished stainless steel, powder-coated
- Tough polymer-housing mounting system
- Padlockable; with padlock storage feature
- Retention tabs prevent bolt dropping & dragging
- Mounting systems for metal, wood & vinyl
- Bolt lengths: 610 & 1020mm



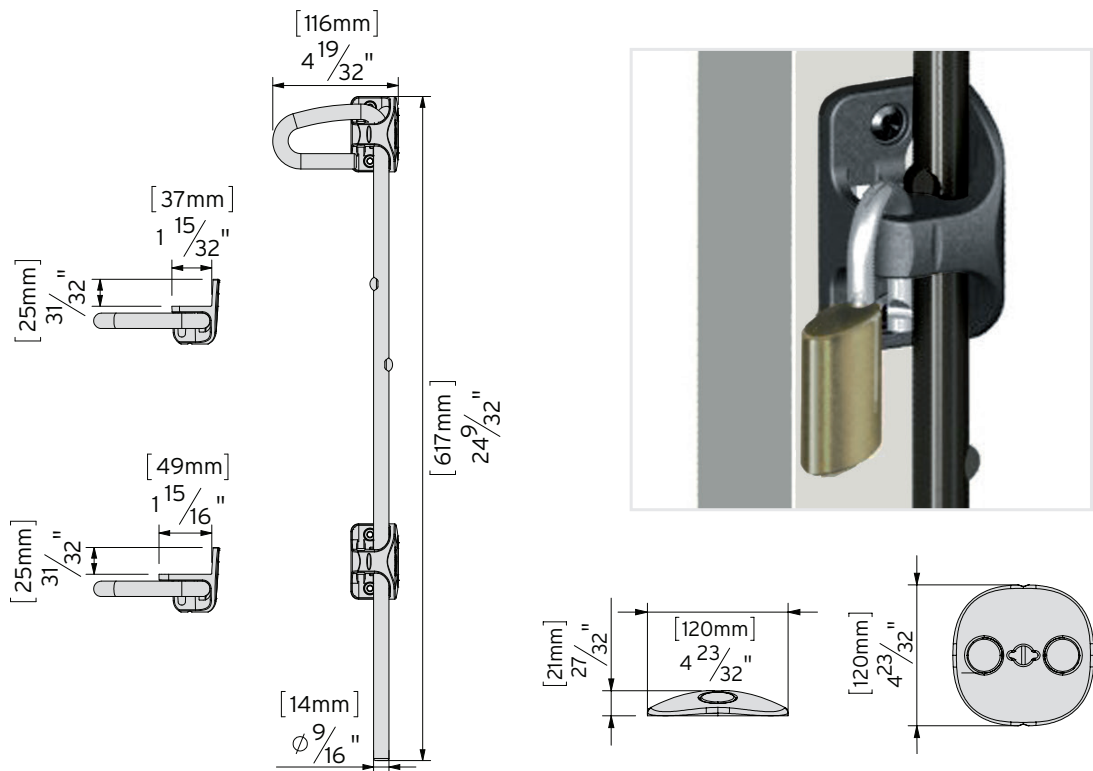
D&D Technologies

World's most trusted gate hardware



Product Dimensions

CODE	COLOR	GATE MATERIAL	BOLT LENGTH
QB124	Black	Metal	610mm
QB140	Black	Metal	1020mm
QB224	Black	Wood, Vinyl	610mm
QB240	Black	Wood, Vinyl	1020mm
LBBPGB	Black	Optional Base Plate	-



www.ddtechglobal.com

Unit 6, 4-6 Aquatic Drive, Frenchs Forest NSW 2086
Tel: (02) 9454 7888 Email: sales@ddtech.com.au